

TECHNICAL NOTES

Crush will fit the following loadbars:

- Trutest HD5T - add height 108mm
- Gallagher G06300 - add height 95mm
- Gallagher G06400 - add height 117mm
- Trutest HD1010 - add height 98mm
- Iconix Heavy Duty - add height 115mm

Use forklift lugs for lifting into place

Space allowance on sides:

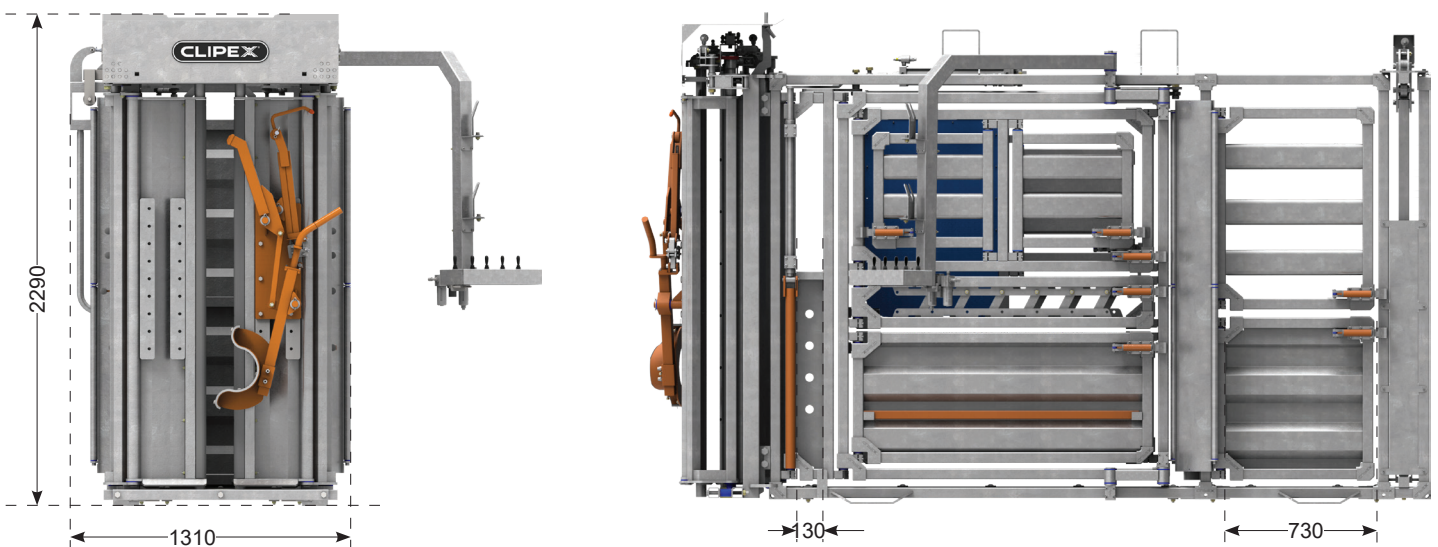
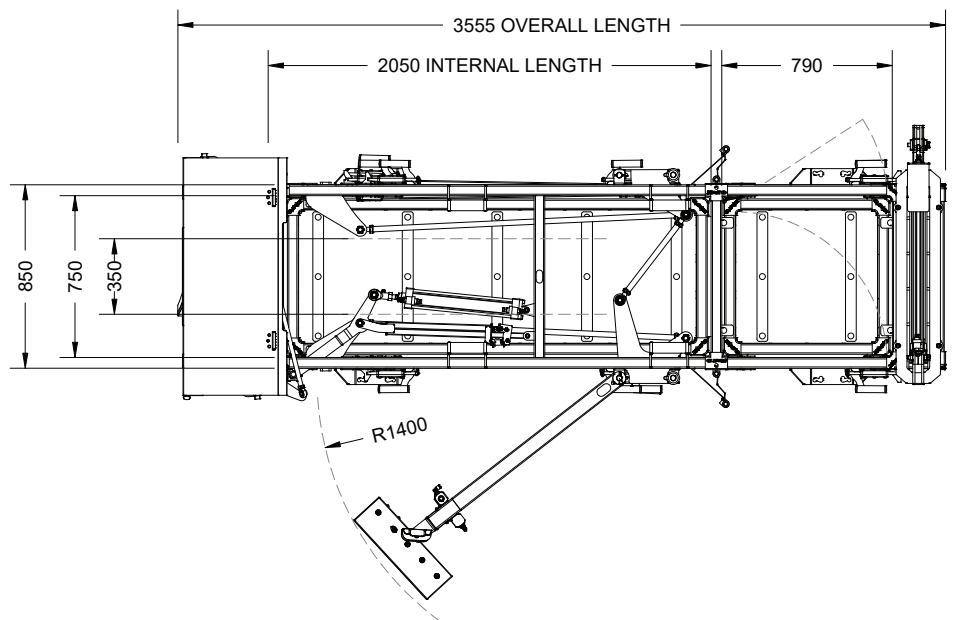
- Operator side 2500mm minimum
- Non operator side 2000mm minimum

Minimum recommended concrete slab dimensions

- 2500mm(W) x 4200mm(L) x 110mm(T)
- 25MPa with SL72 steel reinforcement, 20mm aggregate
- Concrete edge at least 300mm from edge of crush frame on non operator side

Air compressor requirements:

- 80-100psi (550 - 690kPa)
- 9.8 cfm (280 L/min) minimum free air delivery
- Equivalent - P17 Puma or higher



All dimensions in millimetres

10 December 2021