

TECHNICAL NOTES

Crush will fit the following loadbars:

- Trutest HD5T-add height 108mm
- Gallagher 5000kg 1000mm - add height 95mm
- Gallagher 2500kg 1000mm -add height 95mm

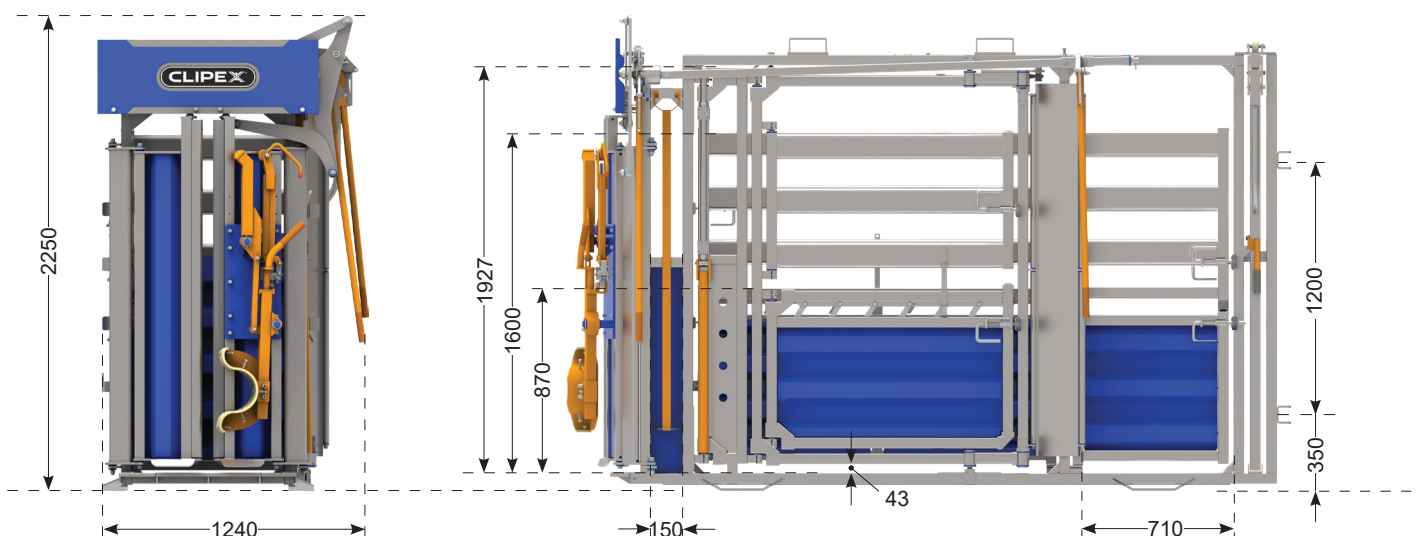
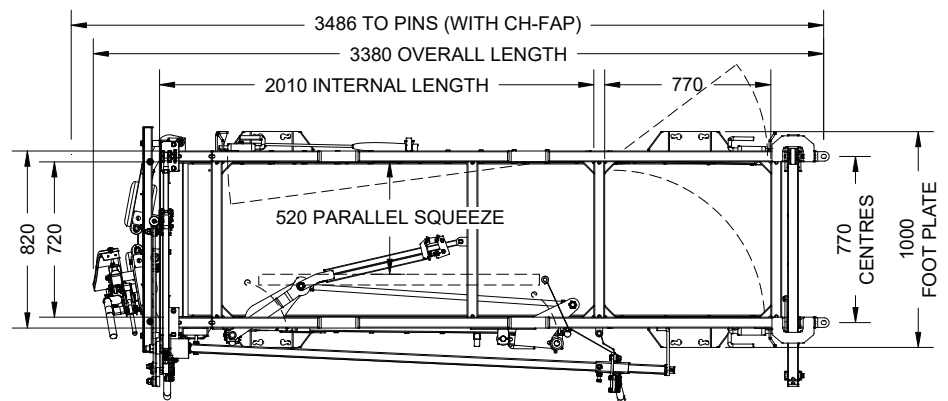
Use forklift lugs for lifting into place

Minimum recommended concrete slab dimensions

- 2500mm(W) x 4000mm(L) x 110mm(T)
- 25MPa with SL72 steel reinforcement, 20mm aggregate
- Concrete edge at least 300mm from edge of crush frame on non operator side

OPTIONS

- Add front adaptor posts to connect semi-permanent panels. Product code CH-FAP
- Nearside or offside operation (Nearside shown)
- Place crush on scales



All dimensions in millimetres